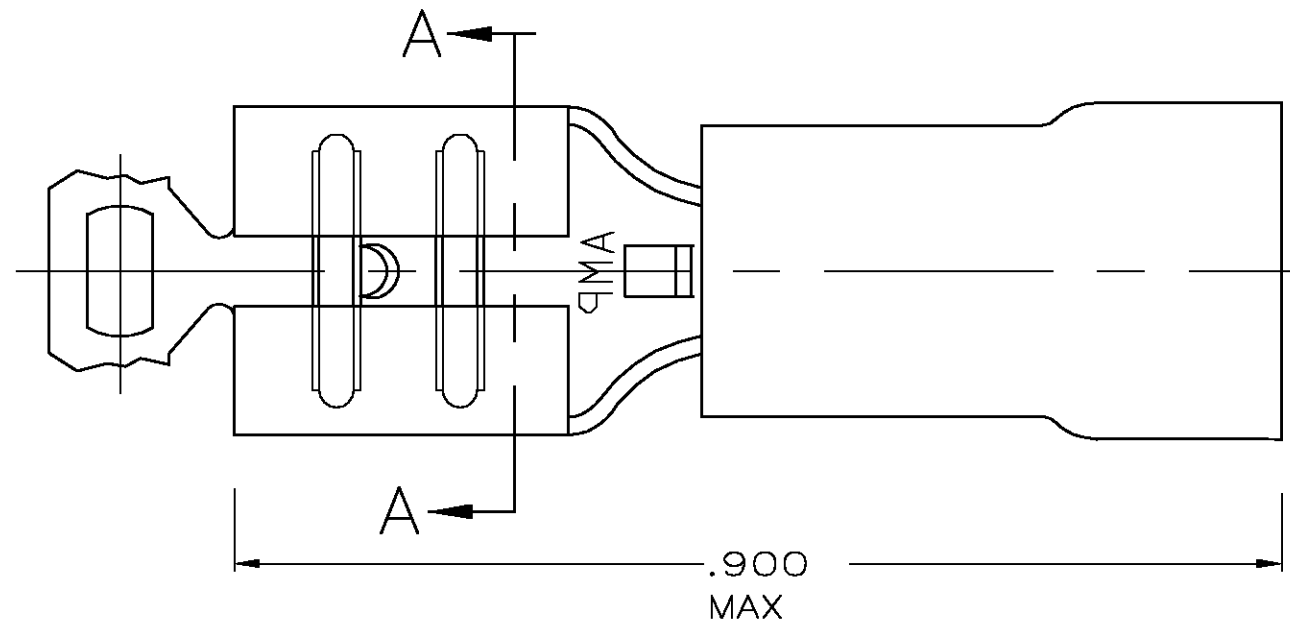
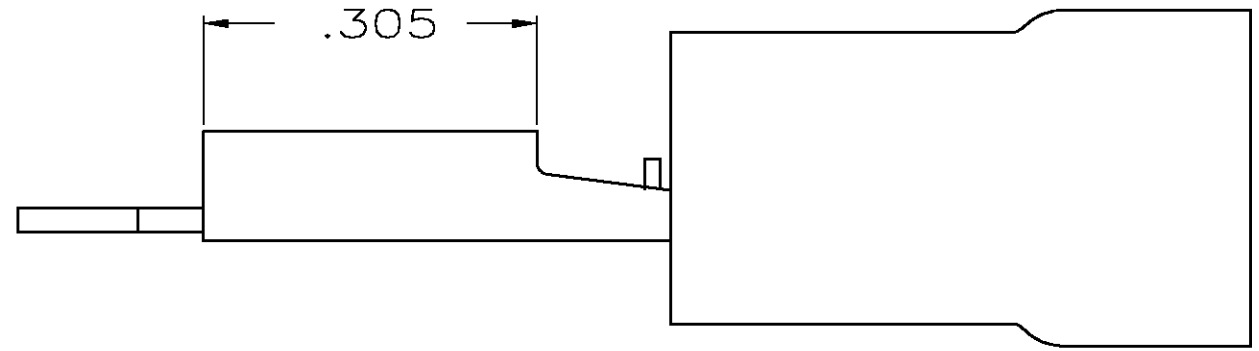


THIS DRAWING IS UNPUBLISHED. RELEASED FOR PUBLICATION  
 © COPYRIGHT BY TYCO ELECTRONICS CORPORATION. ALL RIGHTS RESERVED.

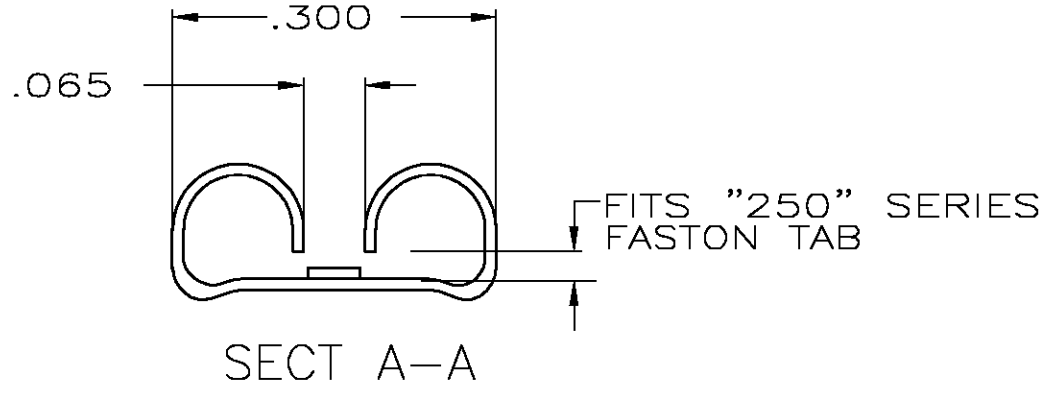
LOC	DIST	REVISIONS				
P	LTR	DESCRIPTION	DATE	DWN	APVD	
G	14	CE	REV PER 0G3A-0319-03	27MAY03	JR TM	



- 1. INSULATION DIA .140 MAX
- 2. FITS TAB .032 THK



AMP WIRE RANGE	FILE	LR7189 Certified
22-18 AWG STRANDED	E66717	
22-18 AWG STRANDED	22-18 AWG STRANDED	22-18 AWG STRANDED



-	-	640902-1
QTY	PACKAGE TYPE	PART NO

**AMP INCORPORATED**  
**CUSTOMER SERVICE SYSTEMS**

FOR ADDITIONAL PRODUCT INFORMATION OR COPIES OF DRAWINGS AND TECHNICAL DOCUMENTS	PRODUCT INFORMATION CENTER 1-800-522-6752
FOR APPLICATION TOOLING INFORMATION	TOOLING ASSISTANCE CENTER 1-800-722-1111
FOR ORDER ENTRY	1-800-526-5142

MAX RECOMMENDED OPERATING TEMPERATURE:  
105° C

VOLTAGE RATING:  
300V MAX

CIRCULAR MIL AREA:  
509-1,900  
STRANDED

THIS DRAWING IS A CONTROLLED DOCUMENT.

DIMENSIONS:	TOLERANCES UNLESS OTHERWISE SPECIFIED:
INCHES	
	0 PLC ± -
	1 PLC ± -
	2 PLC ± .015
	3 PLC ± -
	4 PLC ± -
	ANGLES ± -

MATERIAL: BODY, BRASS .018

FINISH: BODY, TIN

DWN: L OLMEDA 26JUN95  
 CHK: M ELLIS 26JUN95  
 APVD: B BARE 26JUN95

**tyco Electronics** Tyco Electronics Corporation  
 Harrisburg, PA 17105

NAME: RECEPTACLE, 250 SERIES, FASTON, PIDG, 22-18

PRODUCT SPEC: UL 310

APPLICATION SPEC: 114-1002

WEIGHT: -

SIZE: A3 CAGE CODE: 00779 DRAWING NO: 640902 RESTRICTED TO: -

CUSTOMER DRAWING SCALE: 6:1 SHEET: 1 OF 1 REV: CE